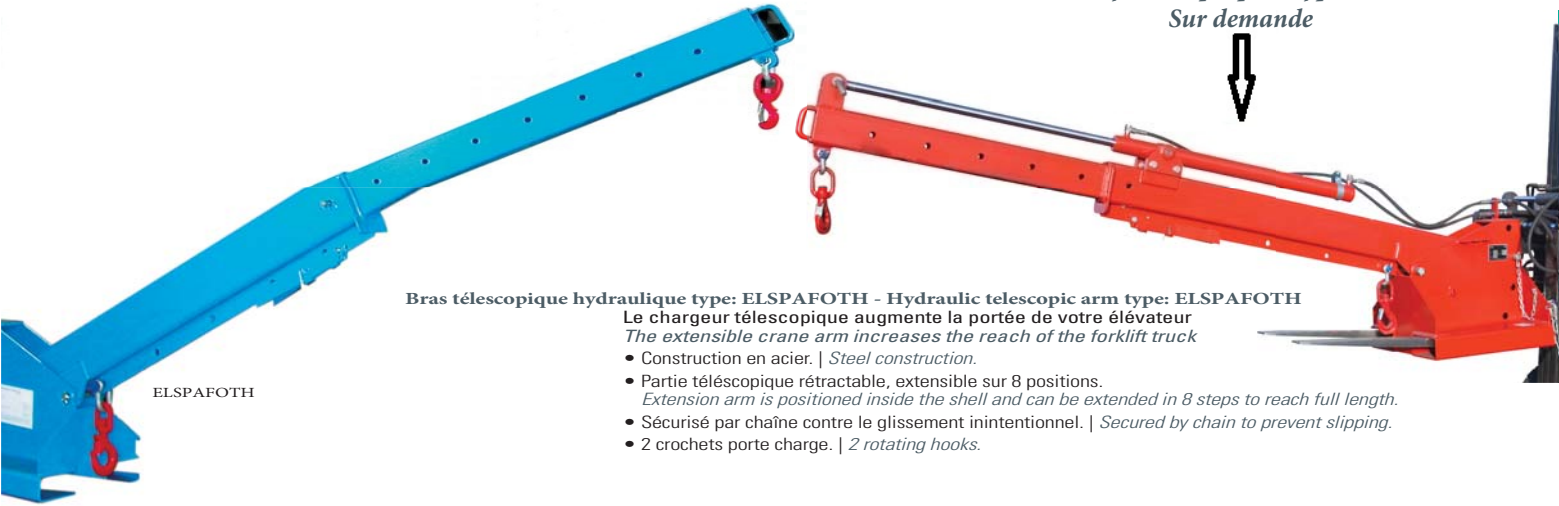


**TELESCOPIC ARM FOR FORKLIFT  
LIFTING ARM FOR FORKLIFT CUSTOM MADE**  
BRAS TÉLÉSCOPIQUE À FIXATION SUR FOURCHES DE CHARIOT ÉLÉVATEUR

*Hydraulic extension for ELSPAFOTH type  
On demand  
Extension hydraulique pour type ELSPAFOTH  
Sur demande*



**Bras télescopique hydraulique type: ELSPAFOTH - Hydraulic telescopic arm type: ELSPAFOTH**

- Le chargeur télescopique augmente la portée de votre élévateur  
The extensible crane arm increases the reach of the forklift truck**
- Construction en acier. | *Steel construction.*
  - Partie télescopique rétractable, extensible sur 8 positions.  
*Extension arm is positioned inside the shell and can be extended in 8 steps to reach full length.*
  - Sécurisé par chaîne contre le glissement inintentionnel. | *Secured by chain to prevent slipping.*
  - 2 crochets porte charge. | *2 rotating hooks.*



Type ELSPAFOT extensible - Type ELSPAFOT extended

This fork truck attachment offers an adjustable telescopic reach and adjusts vertically in five elevations up to a maximum of 40 degrees (76") in height above horizontal. This fork truck attachment easily fits standard forklift trucks, and includes a hand pull with a locking T-pin at the end for easy extension.

**Description**

Type ELSPAFOT

- Construction rigide.

Type ELSPAFOTH

- Réglable sur 3 hauteurs différentes, chaque position est sécurisée par des goujons.

**Description**

Type ELSPAFOT

- Rigid construction.

Type ELSPAFOTH

- Variable working height and can be fixed in each of the positions using the pin provided.

**NOTE: THE ELSPAFOT AND ELSPAFOTH MODELS HAVE THE SAME MEASURES**

MODEL # ELSPAFOTH	CAPACITY LBS	FORK POCKET CENTERS	FORK POCKET SIZE	OVERALL HEIGHT	UNIT WEIGHT
ELSPAFOT4	4,000	13"	3-1/2" x 7-1/2"	26"	555 #
ELSPAFOT30	4,000	30"	3-1/2" x 7-1/2"	26"	610 #
ELSPAFOT13	6,000	13"	3-1/2" x 7-1/2"	26"	660 #
ELSPAFOT630	6,000	30"	3-1/2" x 7-1/2"	26"	690 #
ELSPAFOT813	8,000	13"	3-1/2" x 7-1/2"	26"	875 #
ELSPAFOT830	8,000	30"	3-1/2" x 7-1/2"	26"	950 #

**OPTIONS**

**Peinture | Painting**

- |          |          |                        |
|----------|----------|------------------------|
| RAL 2000 | RAL 3000 | RAL 5012               |
| RAL 6011 | RAL 7005 | Galvanisé   Galvanized |

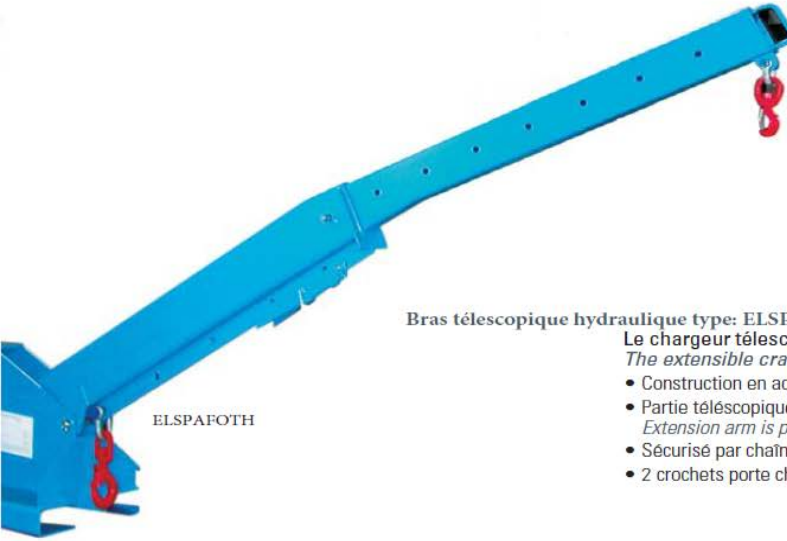
**Extension | Extension**

Extended hydraulically type ELSPAFOTH

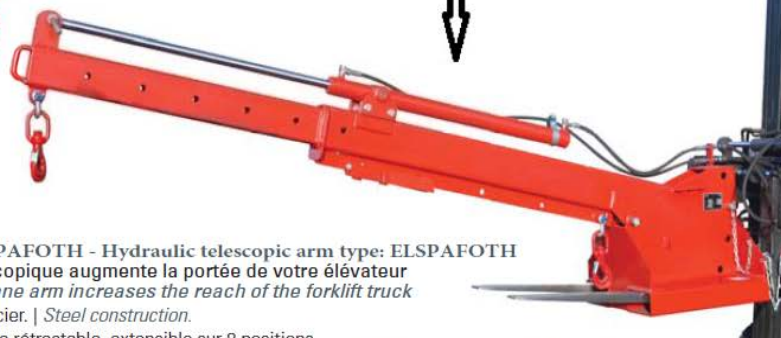
Extension hydraulique pour type ELSPAFOTH  
Sur demande  
On request  
Price/Prix:

# LIFTING ARM FOR FORKLIFT JIB LOAD CHART - TELESCOPIC ARM FOR FORKLIFT BRAS TÉLÉSCOPIQUE À FIXATION SUR FOURCHES DE CHARIOT ÉLÉVATEUR

Hydraulic extension for ELSPAFOTH type  
On demand  
Extension hydraulique pour type ELSPAFOTH  
Sur demande



ELSPAFOTH



Bras télescopique hydraulique type: ELSPAFOTH - Hydraulic telescopic arm type: ELSPAFOTH

- Le chargeur télescopique augmente la portée de votre élévateur  
The extensible crane arm increases the reach of the forklift truck
- Construction en acier. | Steel construction.
  - Partie télescopique rétractable, extensible sur 8 positions.  
Extension arm is positioned inside the shell and can be extended in 8 steps to reach full length.
  - Sécurisé par chaîne contre le glissement inintentionnel. | Secured by chain to prevent slipping.
  - 2 crochets porte charge. | 2 rotating hooks.



Type ELSPAFOT extensible - Type ELSPAFOT extended

This fork truck attachment offers an adjustable telescopic reach and adjusts vertically in five elevations up to a maximum of 40 degrees (76") in height above horizontal. This fork truck attachment easily fits standard forklift trucks, and includes a hand pull with a locking T-pin at the end for easy extension.

## Description

Type ELSPAFOT

- Construction rigide.

Type ELSPAFOTH

- Réglable sur 3 hauteurs différentes, chaque position est sécurisée par des goujons.

## Description

Type ELSPAFOT

- Rigid construction.

Type ELSPAFOTH

- Variable working height and can be fixed in each of the positions using the pin provided.

**NOTE: THE ELSPAFOT AND ELSPAFOTH MODELS HAVE THE SAME MEASURES**

LIFTING ARM FOR FORKLIFT JIB LOAD CHART			
HOOK POSITION	CAPACITY ON A SINGLE HOOK		
	2 TON	3 TON	4 TON
36" & 48"	4000 lbs	6000 lbs	8000 lbs
60"	3600 lbs	5600 lbs	7400 lbs
72"	3300 lbs	5300 lbs	6900 lbs
84"	2900 lbs	4900 lbs	6400 lbs
96"	2400 lbs	4100 lbs	5400 lbs
108"	2000 lbs	3500 lbs	4400 lbs
120"	1800 lbs	2900 lbs	3900 lbs
132"	1600 lbs	2600 lbs	3500 lbs

## OPTIONS

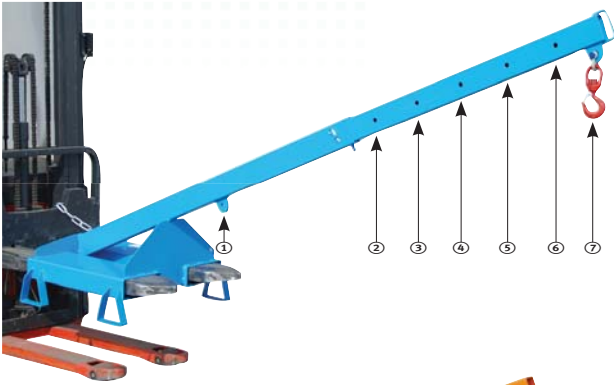
- |          |  |          |  |                        |
|----------|--|----------|--|------------------------|
| RAL 2000 |  | RAL 3000 |  | RAL 5012               |
| RAL 6011 |  | RAL 7005 |  | Galvanisé   Galvanized |

Extension | Extension  
Extended hydraulically type ELSPAFOTH  
Extension hydraulique pour type ELSPAFOTH  
Sur demande

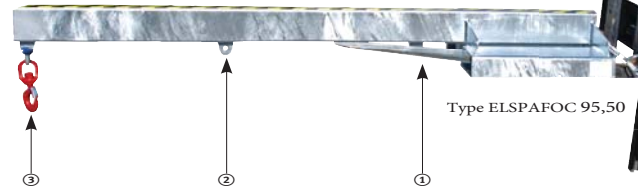
On request  
Price/Prix:

# LIFTING ARM FOR FORKLIFT CUSTOM MADE

## BRAS DE LEVAGE À FIXATION SUR FOURCHES DE CHARIOT ÉLEVATEUR



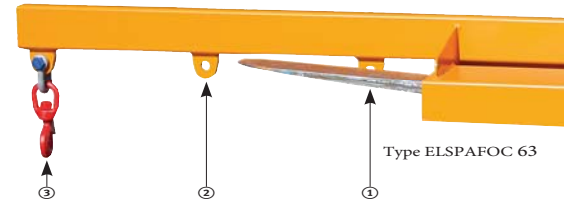
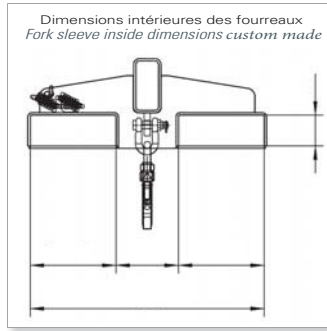
Type ELSPAFOCT 25



Type ELSPAFOC 95,50



Type ELSPAFOC 25



Type ELSPAFOC 63

### Description

#### La potence transforme le chariot élévateur en grue mobile

- Construction en acier.
- Fourreaux.
- Compatibles gerbeurs.
- Sécurité anti-glissement par chaînes.
- 1 crochet à émerillon avec linguet de sécurité.

#### Type ELSPAFOC 63 inch. to 95,50 inch.

- Versions rigides.

#### Type ELSPAFOC 25

- Versions rigides.
- Angle d'inclinaison 25°.
- Pieds support, hauteur de passage 3,94 inch.

#### Type ELSPAFOCT 25

- Angle d'inclinaison 25°.
- Télésopique, chaque position sécurisée par des goujons.
- Pieds support, hauteur de passage

### Description

#### The loading arm increases the reach of the forklift truck

- Steel construction.
- Fork sleeves for pick-up.
- Also for straddle stackers.
- Secured by chain to prevent slipping.
- 1 rotating hook.

#### Type ELSPAFOC 63 inch. to 95,50 inch.

- Rigid construction.

#### Type ELSPAFOC 25

- Rigid construction.
- Inclinaison 25°.
- With stirrups 3,94 inch. ground leeway.

#### Type ELSPAFOCT 25

- Inclinaison 25°.
- Variable working height, can be fixed in each position.
- With stirrups 3,94 inch. ground leeway.

## OPTIONS

### Peinture | Painting

RAL 2000  
RAL 6011

RAL 3000  
RAL 7005

RAL 5012  
Galvanisé | Galvanized

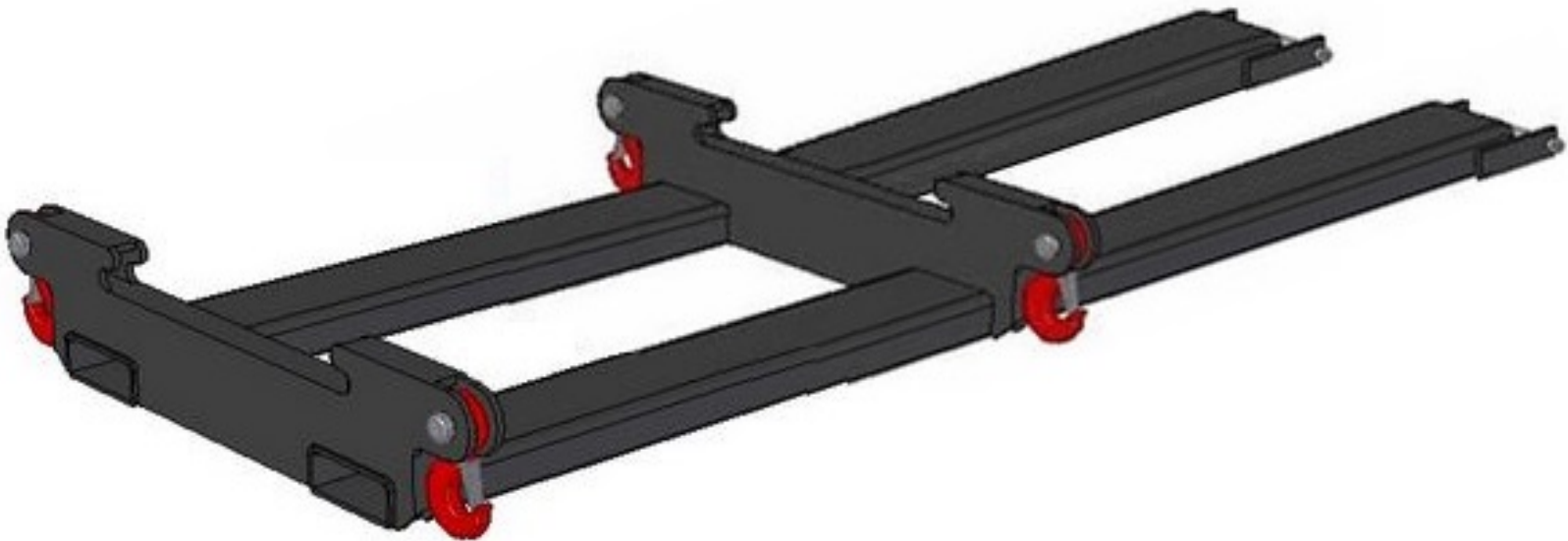
# Forklift Lifting Equipment custom made

Forklifts and lifting devices are made to order and therefore the design and lifting capacity can be modified to suit your individual requirements.



**Big Bag Fork Truck Attachment  
MODEL ELSTI15L**

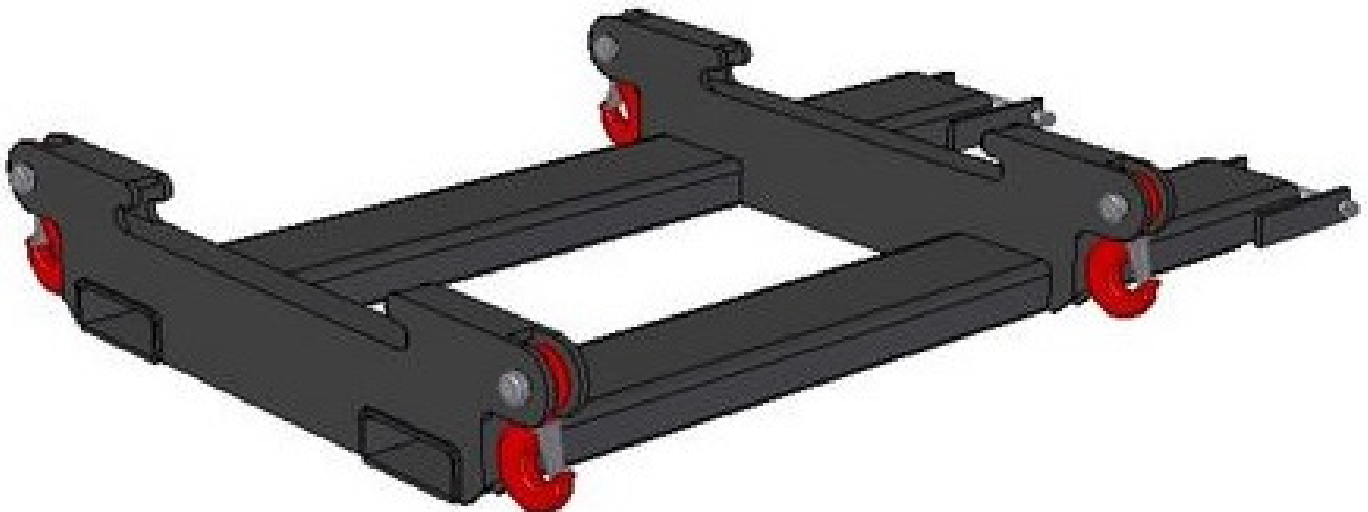
**STRUCTURAL CAPACITY 2,205 Lbs. DISTRIBUTED  
ON THE 4 HOOK POINTS  
(center of gravity 33,5 Inch. FROM THE  
FORKS).  
LENGTH: 78,8 Inch.**



---

**Big Bag Fork Truck Attachment  
MODELL ELSTI15**

**STRUCTURAL CAPACITY 3,307 Lbs.  
DISTRIBUTED ON THE 4 HOOK POINTS  
(center of gravity 33,5 Inch. FROM THE  
FORKS).  
LENGTH: 51,5 Inch.**





**Model #ELSFA4-CH-27.5**  
**Forklift Attachment, 4 Ton Capacity, Center**  
**Hook, removable pin bale**  
**and Custom Made Fixed Hook on request.**

**NOTES:**

1. COMPLIES WITH ASME BTH-1 & B30.20
2. WELD PER AWS D14.1 OR EQUIV.
3. LIFT TO BE UNDER SYMETRICAL LOAD CONDITIONS
4. CONSTRUCTION: STEEL
5. WEIGHT 86#

