



**Lifting solutions**  
Electric chain hoists

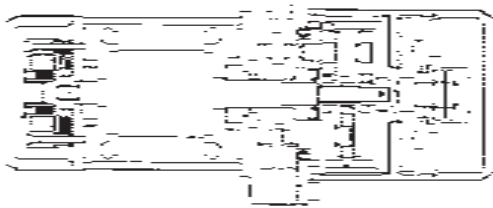


# W Series

## electric chain hoists



Technical dimensional details W serie



### Electrical control panel

The panel is fully hard wired with all components mounted on a steel backing plate. The panel includes high quality contactor switches, a transformer for low voltage (24V) controls, brake rectifier, fuses and connector terminals.

Thanks to these high quality components, up to 240 operations per hour can be carried out. The electrical control panel is mounted in an IP65 plastic enclosure and follows the CEI-EN 60204 norms. In addition, the panel are fully compatible and interchangeable with a full range of hoist models.

### Guide chain

The hoists central body and patented chain guide are machined from one single casting, this allows precise positioning of the load chain into the load sprocket.

The W-series range of electric chain hoists can be distinguished by the following; its extremely compact size giving the best possible closed headroom, its exceptional quality and its high levels of reliability. All are achieved by having the highest quality manufacturing standards, continuous improvements and quality control. All mechanical parts are examined under stringent conditions and rigorously tested, including long term performance testing to ensure the highest quality, efficiency and extended product life.

### Lifting motor

The cylindrical parallel rotor is produced with single windings for single speed hoists or dual windings for dual speed hoists and all have class F insulation.

Manufacture in accordance with FEM class 2m, the duty cycle for single speed hoists is 40% and 10 + 30% for dual speed hoists. The supply voltage for these motors can be specified when ordering and they are available in a wide range of voltages, phases and hertz, thus making the RWM chain hoists again very versatile and capable of working in any environment.

The braking system of the chain hoist uses a 230V spring-activated electro magnetic brake which allows for quick and safe stopping allowing the load to be held at any desired height or position.

The chain hoist has an IP54 protection which protects it against dust, limited ingress and against low pressure jets of water from all directions, limited ingress, for standard indoor use. For other environments, please contact RWM.

### Reduction gears

Found in the gear box's are epicycloid, totally enclosed and lubricated with a permanent high performance grease. The gears are manufactured from high tensile steel and are hardened and heat treated for smooth operation and maximum life span.

In addition, due to its sealed lubrication, the chain hoist can operate within a temperature range of -20°C to +60°C.

### Overload by clutch

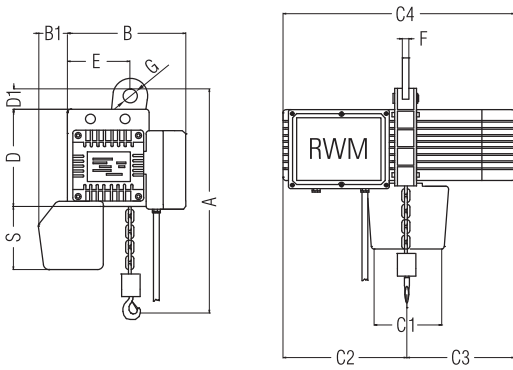
The slipping clutch is a safety device which limits both the up and down stroke of the chain hoist, by limiting a possible overload. It is constructed from asbestos free braking plates held under pressure by cup springs and is adjustable. Note: this is only a safety feature and should not be used as a working limit.

The clutch is setting at 15% respect the nominal capacity of hoist.

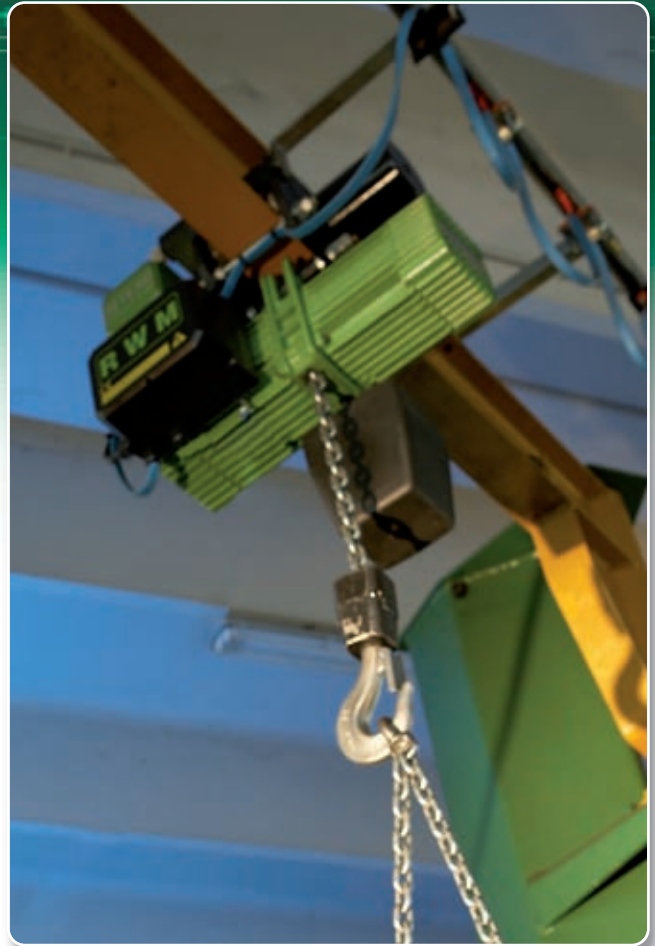
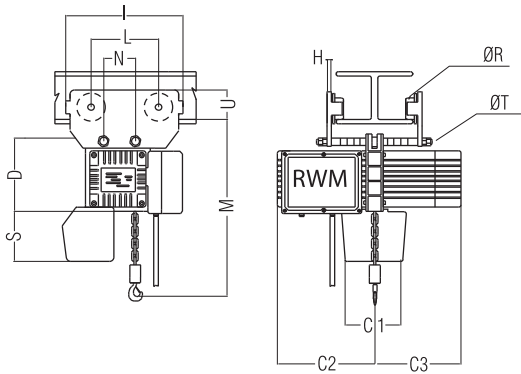




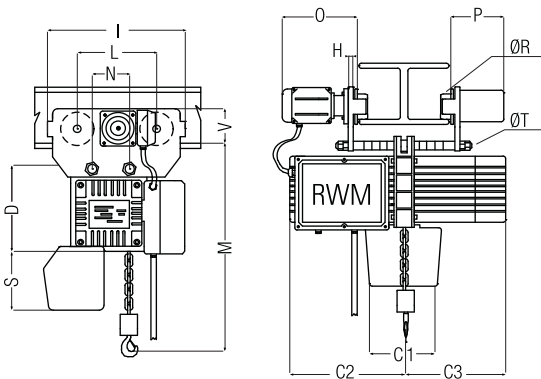
### W Serie - Type F



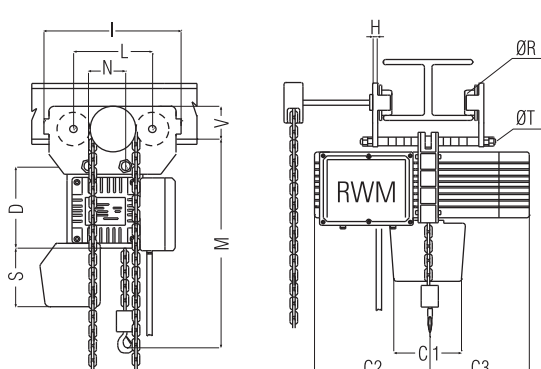
### W Serie - Type CS



### W Serie - Type CE



### W Serie - Type CM



models **W Series**



**Type F**



**Type CS**



**Type CE**



**Type CM**

# WR Series

## electric chain hoists



WR series hoists are designed to lift loads from 1000 kg to 5000 kg in a production environment with a high duty cycle and proven reliability. The hoist body is completely manufactured completely from aluminium and steel with no plastic components. With the new design RWM have produced a hoist with the minimum low headroom and at the same time safe and reliable with particular attention to the selection and test of materials used.

### Electric motor

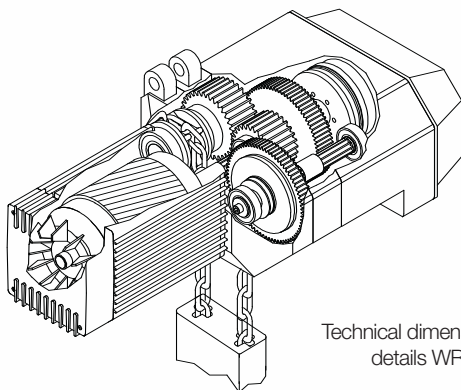
The three phase motor is produced with single or double windings for single or dual speeds. The insulation is class F for both motors. Manufactured to FEM standard 2m, the WR hoists have a duty of 55% on single speed hoists and 15+40% on dual speed hoists. Standard operating voltage's 230/400V, 3 phase, 50 Hz, other voltages available on request.

Hoist motor protected to IP 55 against ingress of dust and water, upgradeable to IP 65 upon request. The hoists 3000/4000/5000 have a standard fan assisted motor for better cooling and increased duty cycles.

### Reduction gear

The reduction gears are designed in such a way that the speed of the hoist can be changed simply by increasing or decreasing the number of components in the gearbox.

The gears are manufactured from high tensile steel and are hardened and heat treated to give maximum life. With the correct choice of oil the hoist can work within the following temperature range, -20°C to +60°C.



Technical dimensional details WR serie

RWM WR series hoists are supplied with **upper and lower electric limit switches** to prevent hook over travel and prevent the use the clutch as an ultimate limit and extending the life of the clutch and gearbox

They are manufactured with two micro switches that operate on the auxiliary circuit of the hoist contactors cutting out operating contactor in the direction of lift.

The hoists are also equipped with a slipping clutch that is set to 120% of the working load limit to prevent accidental overloading.

All hoists are manufactured to CEI EN60204 governing the safety of electrical equipment with low voltage controls 24v, via a transformer mounted in a steel enclosure within the hoist body.

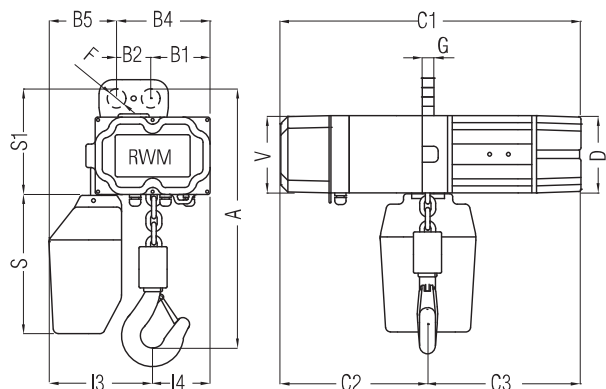
Due to the high quality of electrical contactors used and the 400 vac brake RWM guarantee the WR series hoists for more than 240 operations per hour.



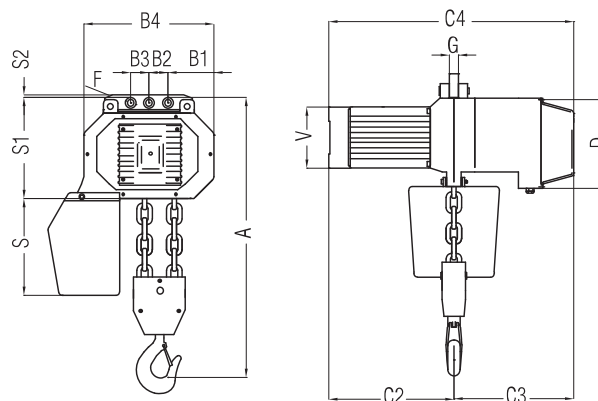


# Type F dimensions

WR 2000 - Type F

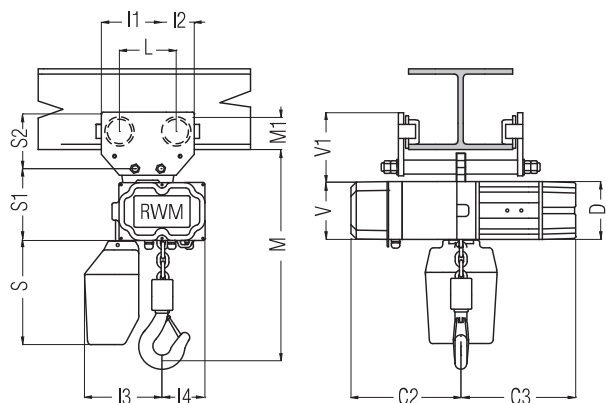


WR 3000/4000/5000 - Type F

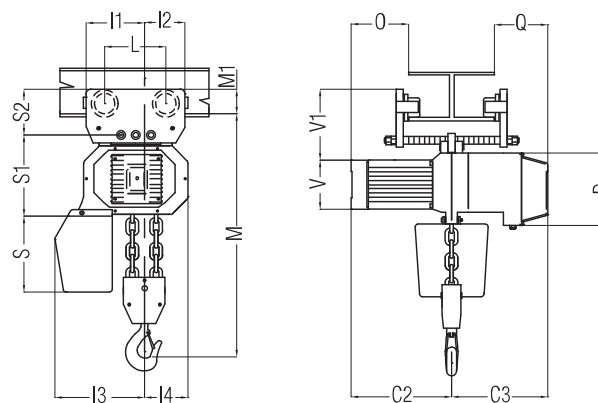


# Type CS dimensions

WR 2000 - Type CS

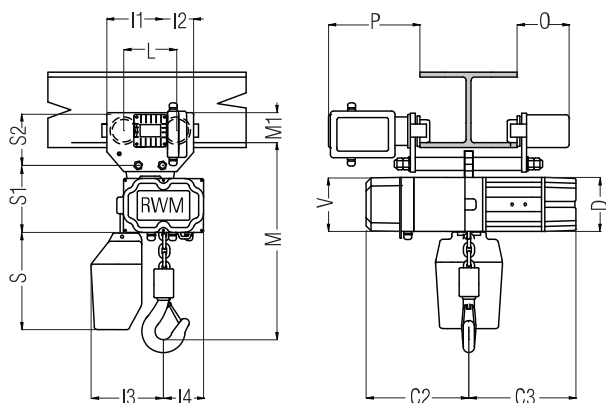


WR 3000/4000/5000 - Type CS

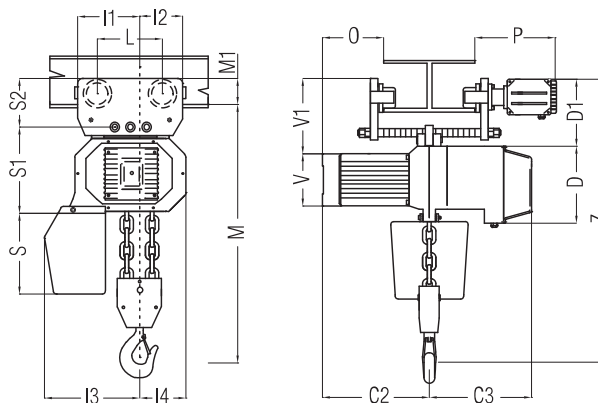


# Type CE dimensions

WR 2000 - Type CE



WR 3000/4000/5000 - Type CE





models **WR Series**



**Type F**



**Type CS**



**Type CE**

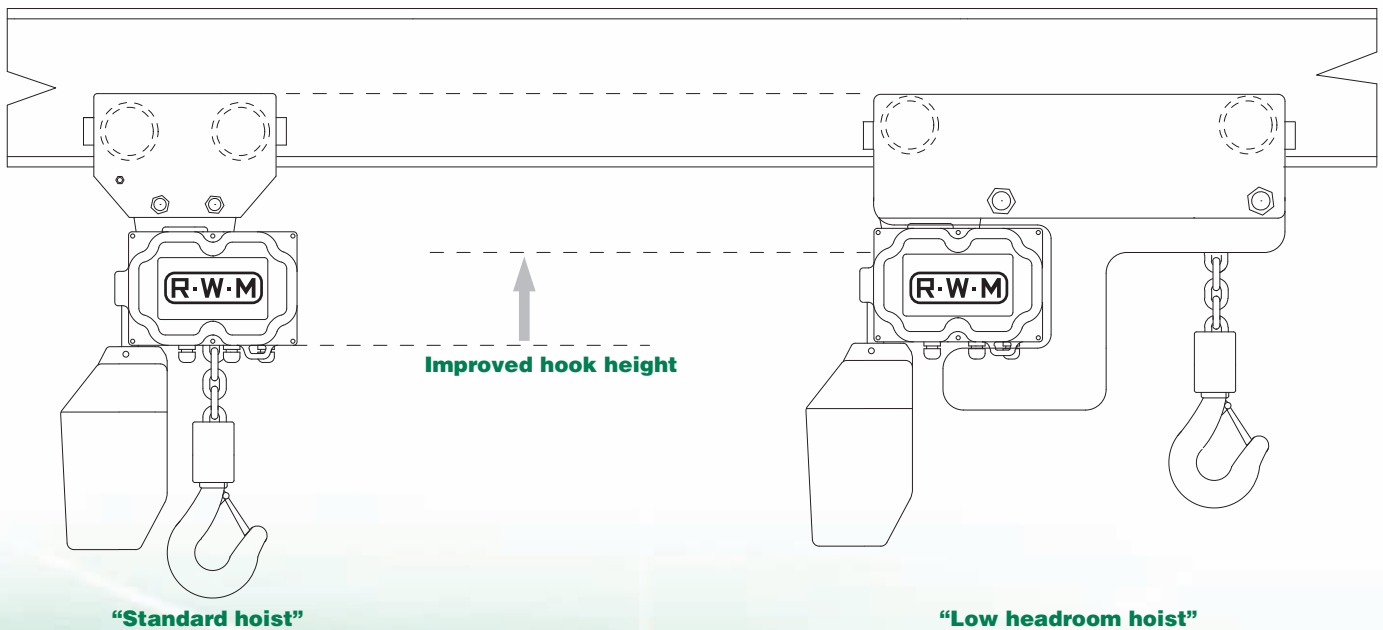
# Low headroom series

electric chain hoists

The low headroom trolleys are used when it is necessary to have the maximum utility height between the floor and the beam. It is important when we have buildings with low height or when it is necessary to enter in compact spaces.



Low headroom = more utility height



Also in those hoists the principal structure is made from steel plates and electric limit switch to stop the trolley long the beam. The hoist is put to the end of the trolley to reduce the hook respect the beam.

Apply to the W and WR serie, the low headroom trolley is made with one motor with capacity until 1000 kg and with a double motor for capacity from 2000 kg to 5000kg. For special applications those trolleys can be made longer as measure so that the hook can be more free from obstructions.

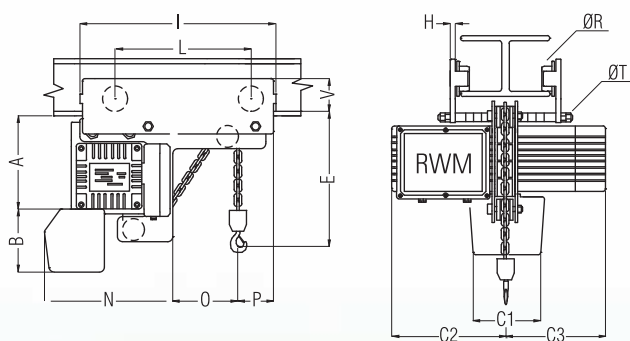
## Type CS-CE

dimensions and technical specifications

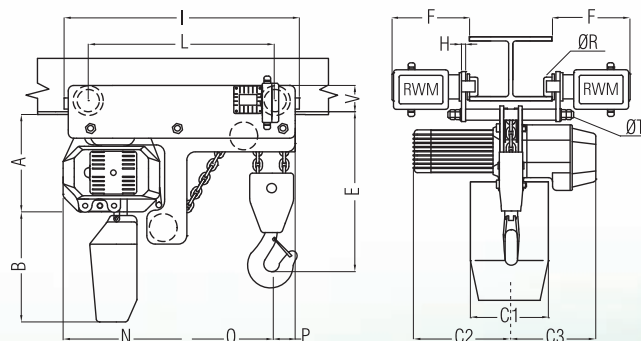
Modello	Capacity kg	Speed m/min.	Kw	Pull of chain	Ø chain	A	B	C1	C2	C3	E	F	H		I	L	N	O	P	R		T	V	Weight kg	
													CE	CS						CE	CS			CE	CS
125W5	125	5	0,5	1	4	195	150	130	225	200	230	265	12	8	370	270	240	100	90	65	50	14	65	61	47
125W8	125	8	0,5	1	4	195	150	130	225	200	230	265	12	8	370	270	240	100	90	65	50	14	65	61	47
125W12	125	14	1	1	4	195	150	130	225	200	230	265	12	8	370	270	240	100	90	65	50	14	65	61	47
125W14	125	1-4	0,2-0,5	1	4	195	150	130	225	200	230	265	12	8	370	270	240	100	90	65	50	14	65	61	47
125W28	125	2-8	0,2-0,5	1	4	195	150	130	225	200	230	265	12	8	370	270	240	100	90	65	50	14	65	61	47
250W5	250	5	0,5	1	4	195	150	130	225	200	230	265	12	8	370	270	240	100	90	65	50	14	65	61	47
250W8	250	8	0,8	1	4	195	150	130	225	200	230	265	12	8	370	270	240	100	90	65	50	14	65	63	49
250W14	250	1-4	0,2-0,5	1	4	195	150	130	225	200	230	265	12	8	370	270	240	100	90	65	50	14	65	63	49
250W28	250	2-8	0,25-1	1	4	205	150	130	235	200	230	265	12	8	370	270	240	100	90	65	50	14	65	63	49
500W4	500	4	0,8	1	5	195	150	130	225	200	250	265	12	8	370	270	240	100	90	65	50	14	65	63	49
500W6	500	6	0,8	1	5	195	150	130	225	200	250	265	12	8	370	270	240	100	90	65	50	14	65	63	49
500W8	500	8	1	1	5	205	150	130	235	200	250	265	12	8	370	270	240	100	90	65	50	14	65	66	52
500W14	500	1-4	0,25-1	1	5	205	150	116	235	200	250	265	12	8	370	270	240	100	90	65	50	14	65	66	52
500W28	500	2-8	0,4-1,8	1	7	220	200	116	260	230	330	265	12	12	520	400	295	160	100	70	70	18	94	89	77
1000W4	1000	4	1	1	7	210	200	116	240	230	330	265	12	12	520	400	295	160	100	70	70	18	94	86	74
1000W6	1000	6	1,6	1	7	220	200	116	260	230	330	265	12	12	520	400	295	160	100	70	70	18	94	89	77
1000W14	1000	1-4	0,4-1,8	1	7	220	200	116	260	230	330	265	12	12	520	400	295	160	100	70	70	18	94	89	77
1000W8	1000	8	2	1	10	265	290	210	345	310	350	268	15	15	598	492	436	158	102	80	80	24	94	126	118
1000WR28	1000	2-8	0,5-2	1	10	265	330	210	345	310	350	268	15	15	598	492	436	158	102	80	80	24	94	126	118
1500W4	1500	4	2	1	10	265	290	210	345	310	375	268	15	15	598	492	436	158	102	70	70	24	94	126	118
1500W8	1500	8	3	1	10	350	330	210	320	300	375	268	15	15	817	673	445	255	135	80	80	24	100	138	125
1500WR14	1500	1-4	0,5-2	1	10	265	290	210	345	310	375	268	15	15	598	492	436	158	102	70	70	24	94	126	118
1500WR28	1500	2-8	0,7-3	1	10	350	330	210	350	300	375	268	15	15	817	673	445	255	135	80	80	24	100	138	125
2000W4	2000	4	2	1	10	265	330	210	345	310	375	268	15	15	598	492	436	158	102	70	70	24	94	126	118
2000W8	2000	8	3	1	11	350	330	210	320	330	375	268	15	15	817	673	445	255	135	80	80	24	100	138	125
2000WR14	2000	1-4	0,5-2	1	10	265	290	210	345	310	375	268	15	15	598	492	436	158	102	70	70	24	94	126	118
2000WR28	2000	2-8	0,7-3	1	11	350	330	210	350	330	375	268	15	15	817	673	445	255	135	80	80	24	100	138	125
2500W8	2500	8	3	1	11	350	330	210	320	330	395	310	15	15	817	673	445	255	135	80	80	24	100	148	135
2500WR28	2500	2-8	0,8-3,5	1	11	350	330	210	350	330	395	310	15	15	817	673	445	255	135	80	80	24	100	148	135
3200W4	3200	4	3	2	10	350	330	250	320	300	495	310	15	15	817	673	445	305	85	80	80	24	100	155	137
3200WR14	3200	1-4	0,7-3	2	10	350	330	250	350	330	495	310	15	15	817	673	445	305	85	80	80	24	100	155	137
4000W4	4000	4	3	2	11	350	390	250	320	330	505	310	15	15	817	673	445	305	85	80	80	24	100	158	145
4000WR14	4000	1-4	0,7-3	2	11	350	390	250	350	330	505	310	15	15	817	673	445	305	85	80	80	24	100	158	145
5000W4	5000	4	3	2	11	350	390	250	320	330	505	310	15	15	817	673	445	305	85	80	80	24	100	163	155
5000WR14	5000	1-4	0,8-3,5	2	11	350	390	250	350	330	505	310	15	15	817	673	445	305	85	80	80	24	100	163	155

## Type CS-CE dimensions

### Low headroom - Type CS



### Low headroom - Type CE



# Single phase W series

electric chain hoists

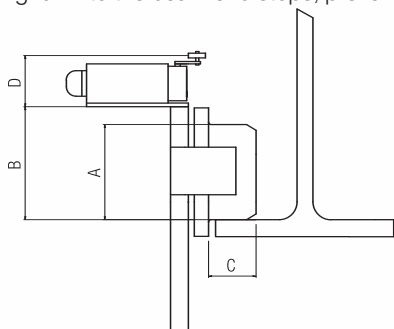


Capacity kg	Speed m/min.	Kw	Pull of chain	Ø chain
125	5	0,5	1	4
125	8	0,5	1	4
250	5	0,5	1	4
250	8	0,8	1	4
500	4	0,8	1	5
500	6	1,5	1	7
1000	4	1,5	1	7

Electric chain hoists 230 V single phase. FEM clas 1 Am R.I. 30%. Available with special tension 110V single phase.

## Trolley electrical

RWM power travel trolley's can be fitted to all models of RWM hoists and are used when the load needs to be traversed laterally along a beam. They are fabricated with heavy duty side plates and fitted with anti-drop plates. They have precision machined steel wheels running on permanently sealed for life bearings, braked motors and have travel limits fitted as standard to prevent the hoist being run into the beam end stops, preventing damage.



### Trolley electrical motors

Direction speed	7 m/min	14 m/min	7/14 m/min
kW da 125 a 2.000	0,2 kW	0,2 kW	0,1/0,2 kW

Motor with conic brake.

kW da 2.500 a 5.000	0,5 kW	0,5 kW	0,2/0,5 kW
------------------------	--------	--------	------------

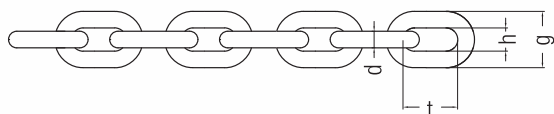
Motor with electromagnet brake 220VDC.

Minimum radius 900 mm.

Wheels dimensions	A	B	C	D	Beam size minimum
Type 1	50	70	15	//	46
Type 2	65	90	25	60	64
Type 3	70	94	29	63	73
Type 4	80	108	38	57	82

Reference to the R letter of labels.

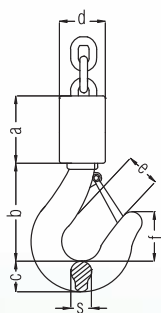
## Chain



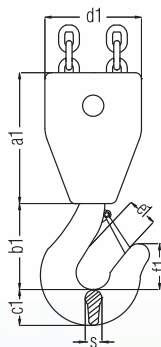
Weight kg/m	d	t	h	g
0,35	4	12	5	13,7
0,54	5	15	6	16,9
1,1	7	22	8,4	23,6
2,2	10	28	12	34
2,7	11	31	13,2	37,4

Calibrated chain EN 818-7.

## Hook models



Bottom block T1



Bottom block T2

Hook n°	Capacity kg	a	b	C	d	e	f	g	s
012	125	62	81	19	50	24	32	30	19
012	250	62	81	19	50	24	32	30	19
025	500	62	88	22	50	28	41	36	20
05	1000	72	110	29	50	34	45	43	29
1	2000	88	135	38	60	40	68	50	38
1	2500	114	135	38	78	40	68	50	38

Bottom block 1/1 DIN 15401.

Hook n°	Capacity kg	a1	b1	c1	d1	e1	f1	g1	s1
1	1500	194	135	38	142	40	68	50	38
1	2000	194	135	38	142	40	68	50	38
1	3000	213	135	45	152	40	68	50	38
1,6	4000	213	145	45	152	45	73	56	45
1,6	5000	213	145	45	152	45	73	56	45

Bottom block 2/1 DIN 15401.

# Accessories accessoires



**Inverter**



**Radio remote control**



**Pendant 2T**



**Pendant 4T**



**AGILE pendant**

## Another accessories

Overload motor protection  
INOX chain and hook  
Aluminium panel box

Top hook  
Hoists runs together  
Special voltage